

SHINOLA WATCHES

SIZING GUIDE

We created this printable sizing guide to help you judge the scale of our watches on your wrist.

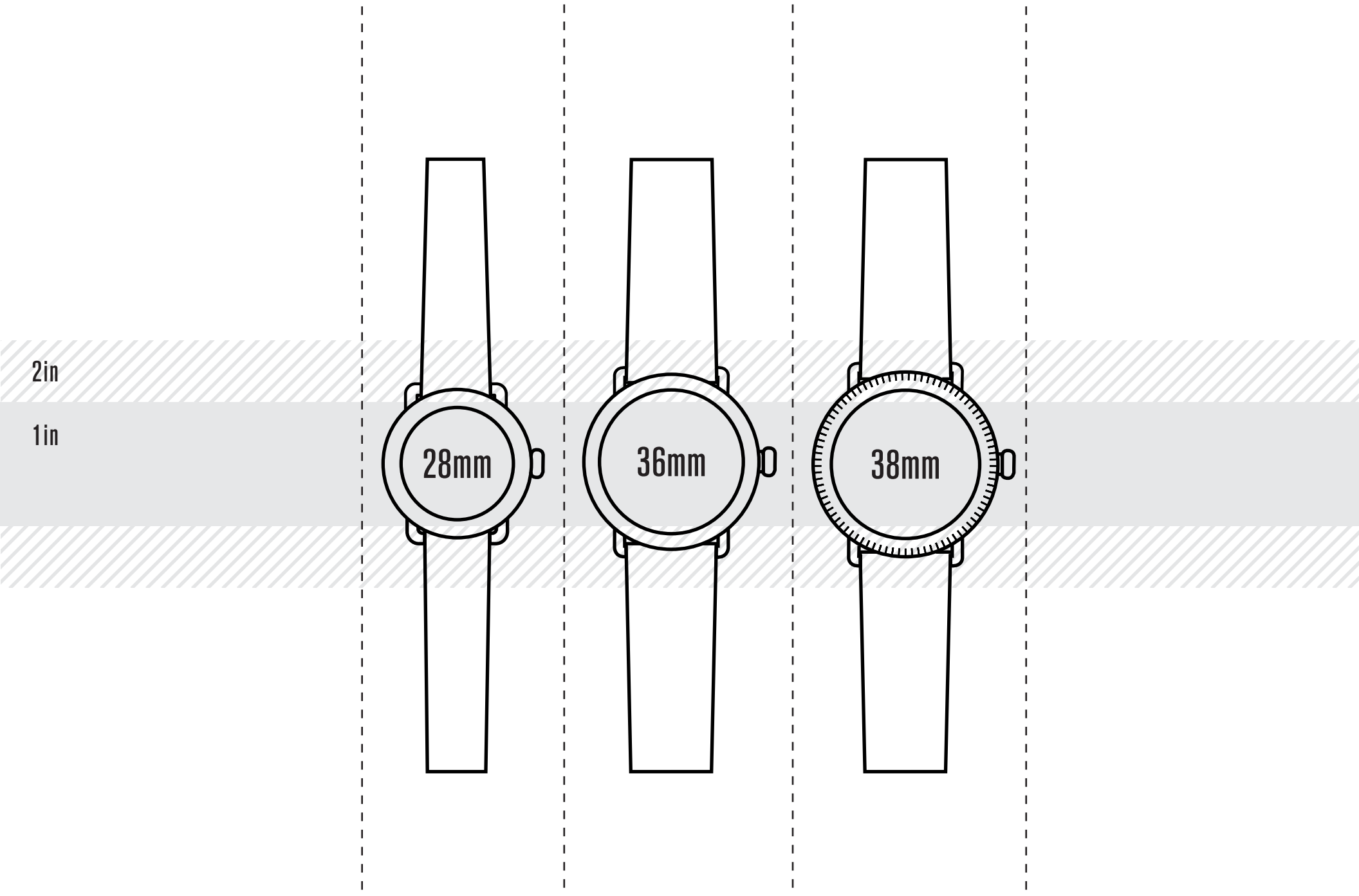
Print this template on an 8.5" x 11" piece of paper at 100% and cut out your preferred size.



RULER TO SCALE FOR REFERENCE



THE RUNWELL



2in

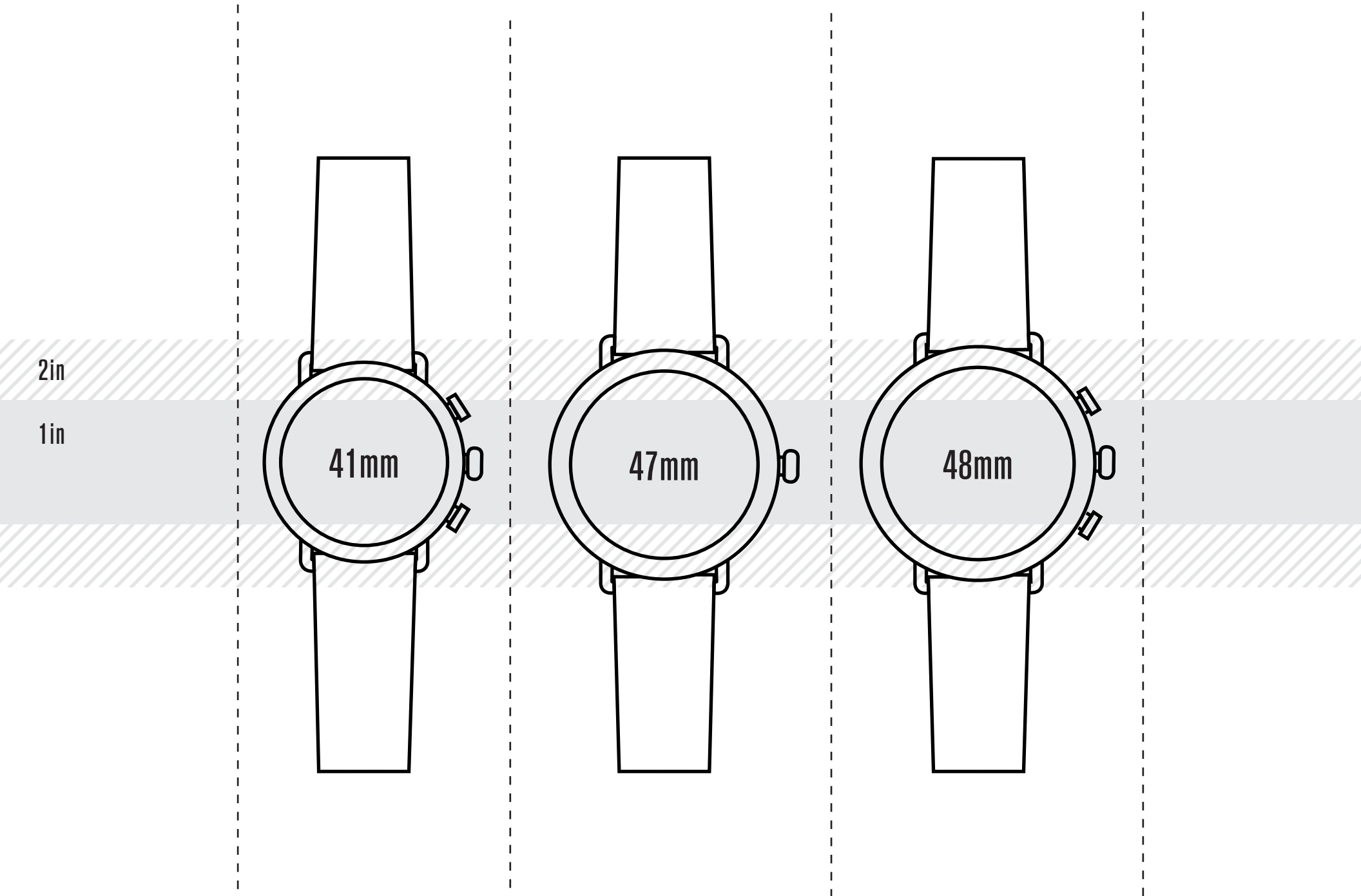
1in

28mm

36mm

38mm

THE RUNWELL



2in

1in

41mm

47mm

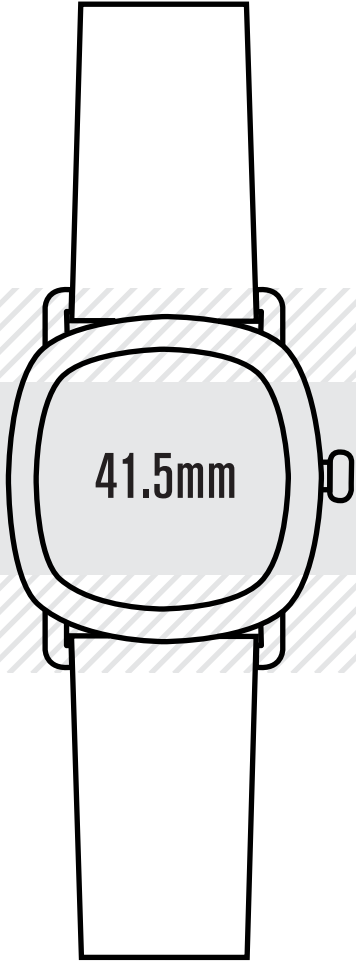
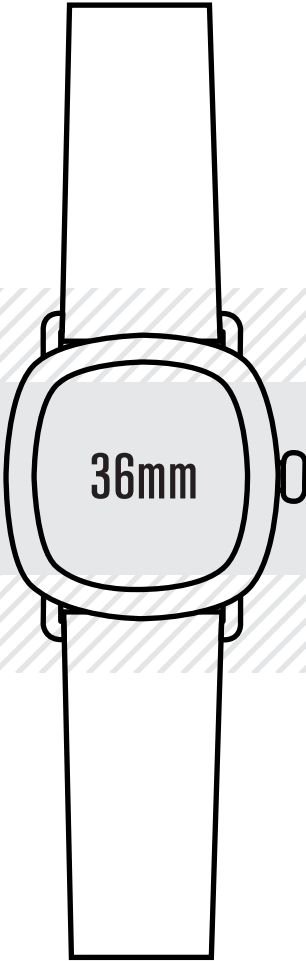
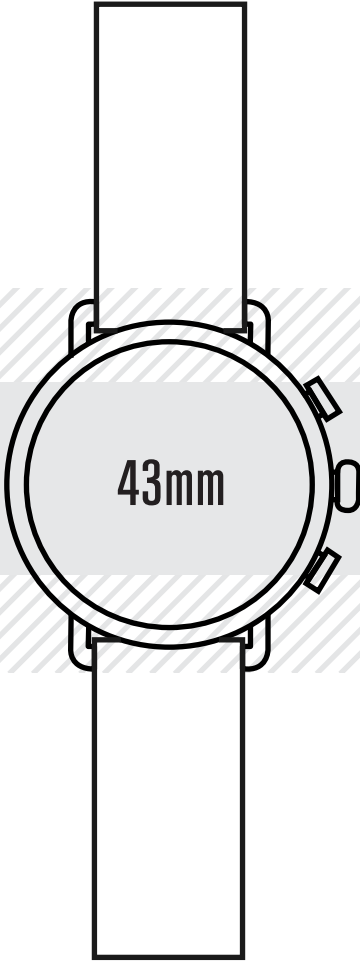
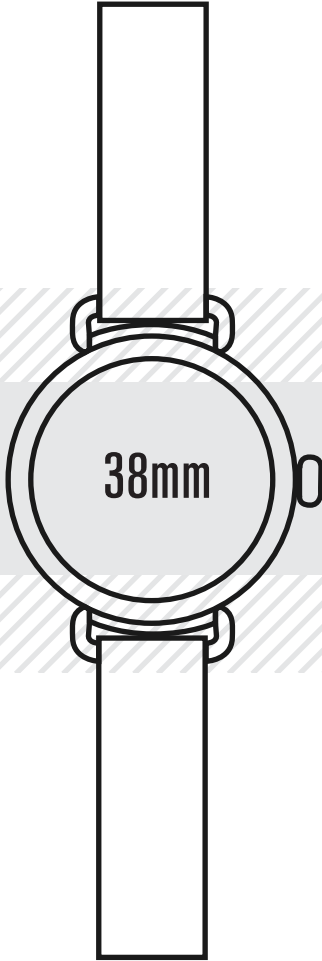
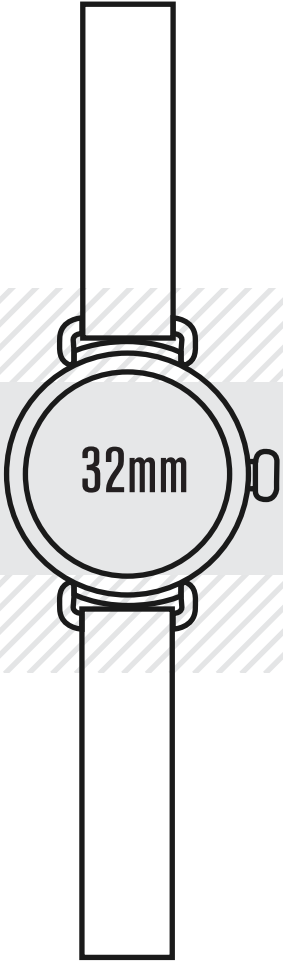
48mm

THE CANFIELD

THE GUARDIAN

2in

1in



THE CASS

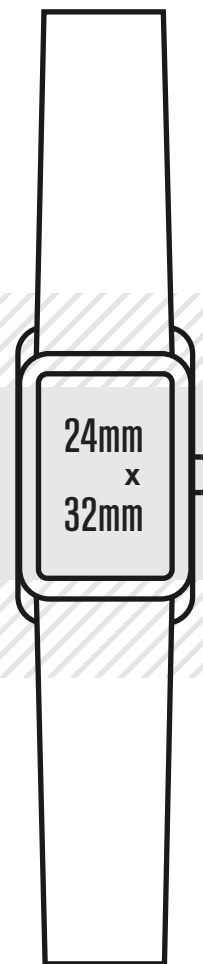
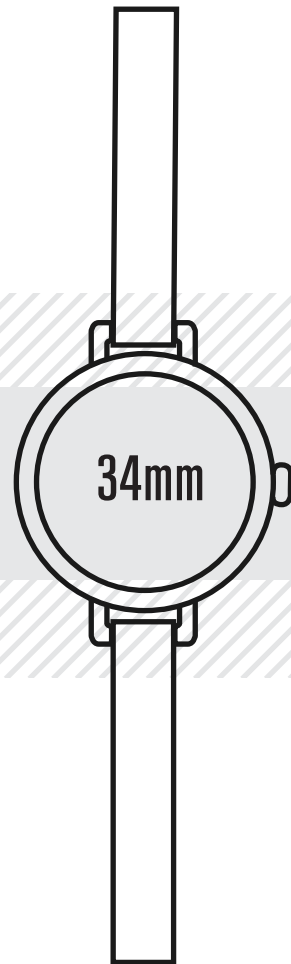
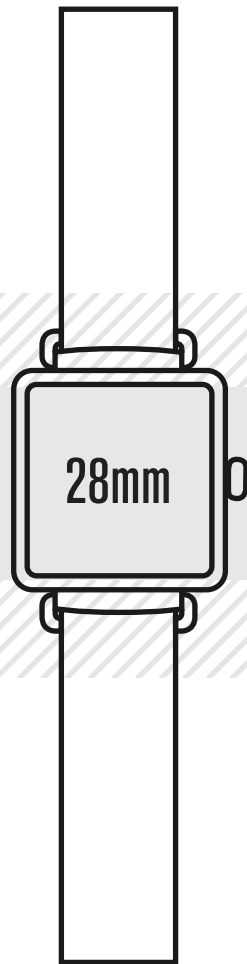
THE BIRDY

THE MULDOWNEY

THE GAIL

2in

1in



THE RAMBLER

THE BEDROCK

THE BOLT

2in

1in

